

Technical Manual

JBL M355 MK II



SPECIFICATIONS

ACOUSTIC & ELECTRICAL SPECIFICATIONS:

- Nominal Impedance: 8 ohms
- Power Rating: 350 Watts IEC
- Frequency Range: (-10dB) (Passive Crossover) 32 Hz - 250 Hz
- Frequency Range: (-10dB) (Position Active) without any crossover frequency): 32 Hz - 3.5 KHz
- Sensitivity: (Passive Crossover): 102 dB*
- Sensitivity: (Position Active): 100 dB*
- Crossover Frequency (Passive Crossover): 250 Hz
- Recommended low cut Frequency: 30 Hz

WIRING:

Input passive crossover:
PIN 1 + -

NOTE! Only input through the upper Neutrik connector. Switch in upper position.

Input biamp (using electronic crossover):
PIN 2 + -
Switch in lower position.
Loop through to the other connector

SYSTEM COMPONENTS:

- Cabinets: CM355 MK II
- Grille: GM355 MK II
- Low Frequency Transducer: 380 mm (15 Inch) CONE

PHYSICAL SPECIFICATIONS:

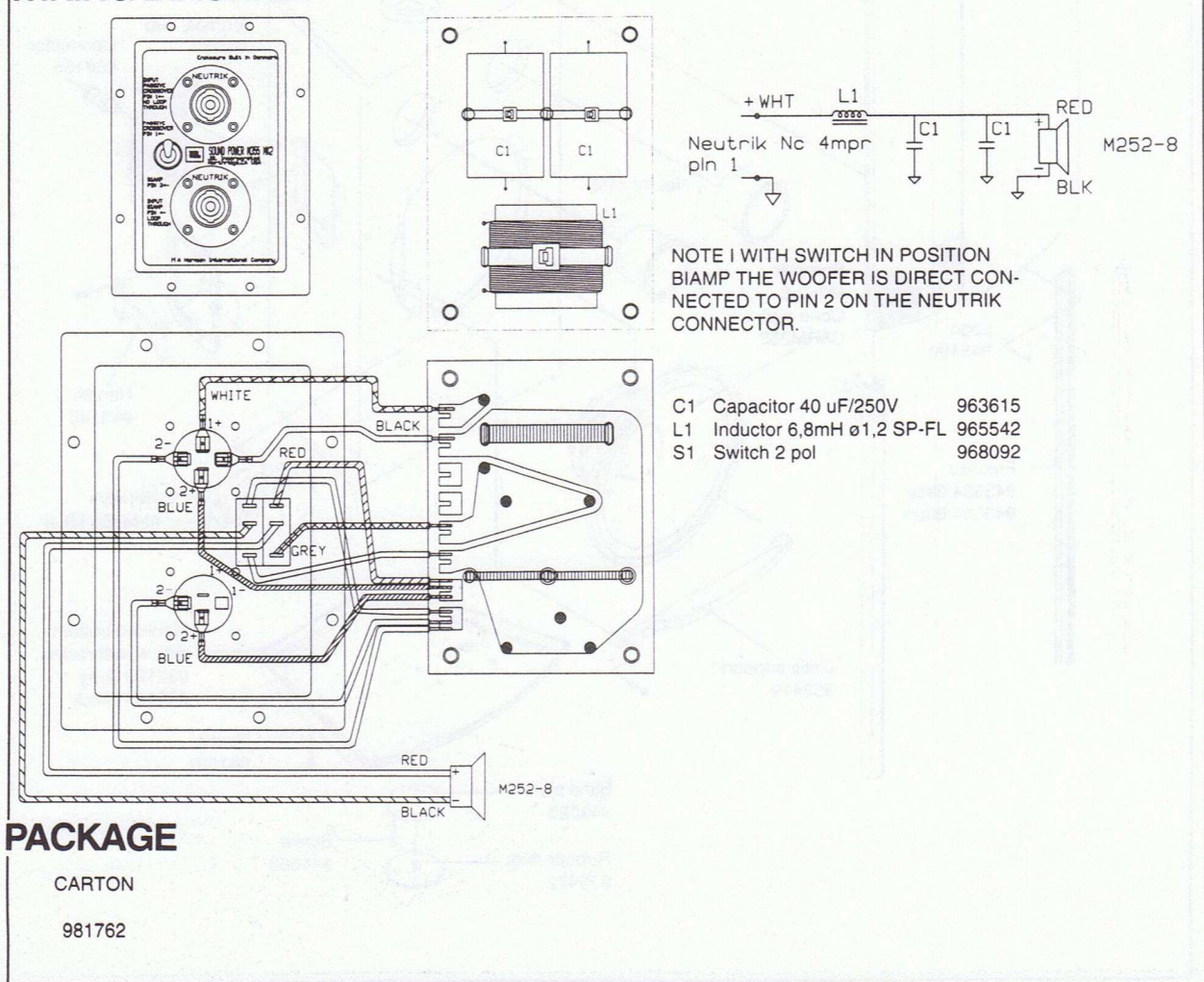
- Enclosure Dimensions: 900 x 520 x 430 (D) mm
- Shipping Weight: 45 Kg
99,5 lbs

* 1 Watt (2.83 V RMS) @ 1 Meter

NOTE! SYSTEM POLARITY

With + from a battery connected to + and - to - on the input connectors. This gives a forward motion of the cone. This is important to secure proper function with the other models in the M-Series.

WIRING DIAGRAM



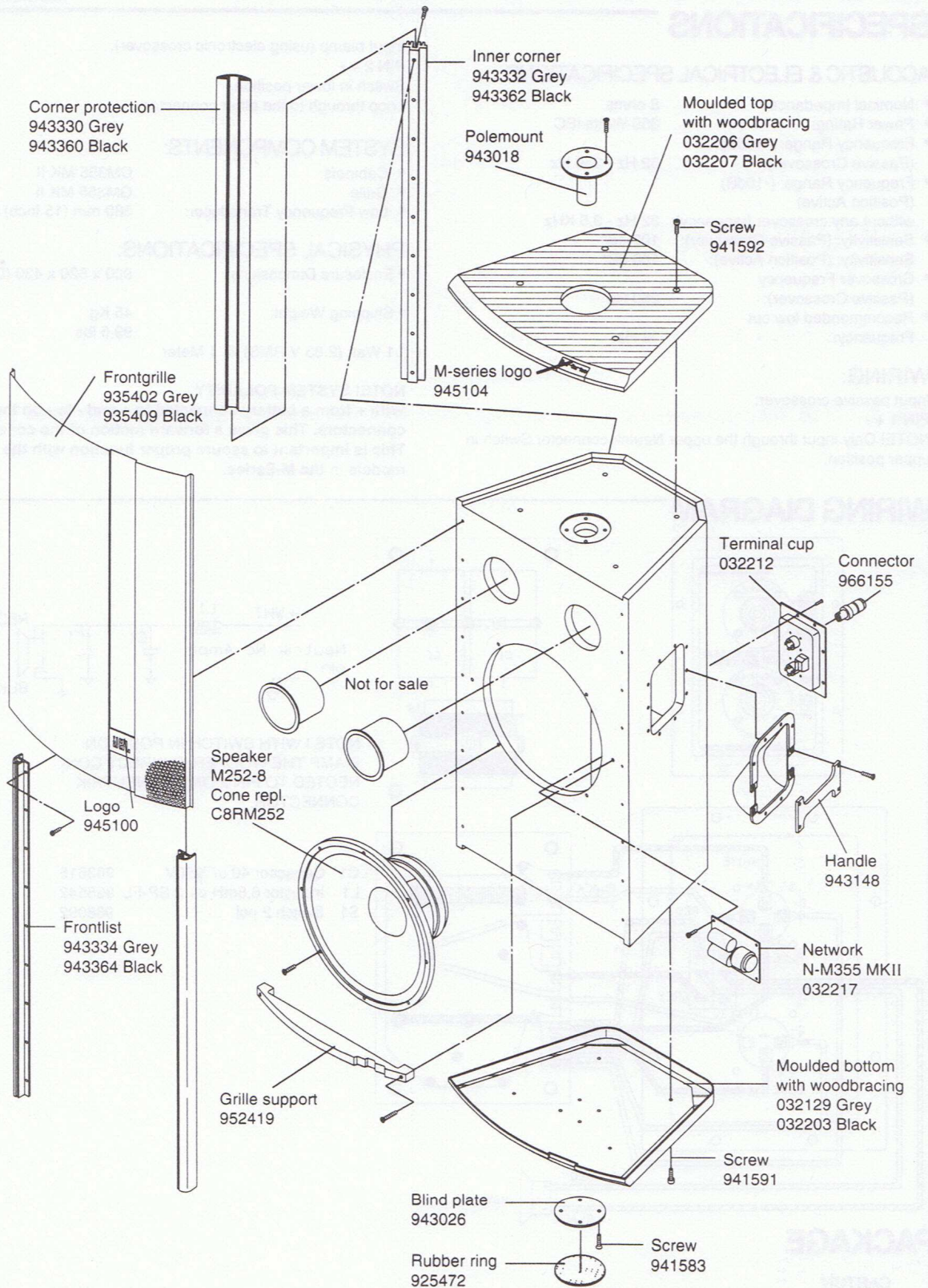
PACKAGE

CARTON

981762

JBL M355 MK II

COMPONENT EXPLODED VIEW



JBL M355 MK II